

## IMRAK 700 free standing cabinets

### IMRAK 700 CABINETS

#### Introduction

IMRAK 700 is a new, lightweight, multi-practice cabinet. The cabinet won an I.F. Award for its stylish design in 1997. The multi-practice design of the product allows for combinations of 19", metric and the wider ETSI standard equipment to be installed into the same rack. The ability of the cabinet to accept equipment and systems designed to the new ETSI standard builds in future proofing for your installations.

#### Standards

ETSI 300 119-2  
IEC 297-2  
DIN 41494, part 7  
DIN 41491, part 1 (mounting dimensions)  
EN 60950  
VDE 0100



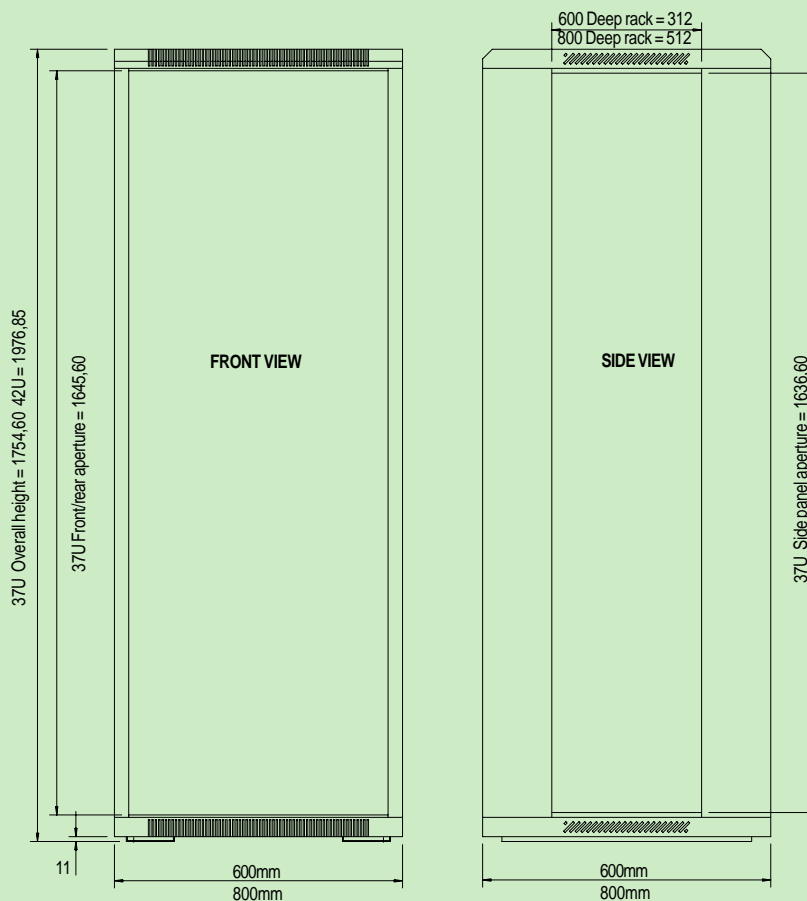
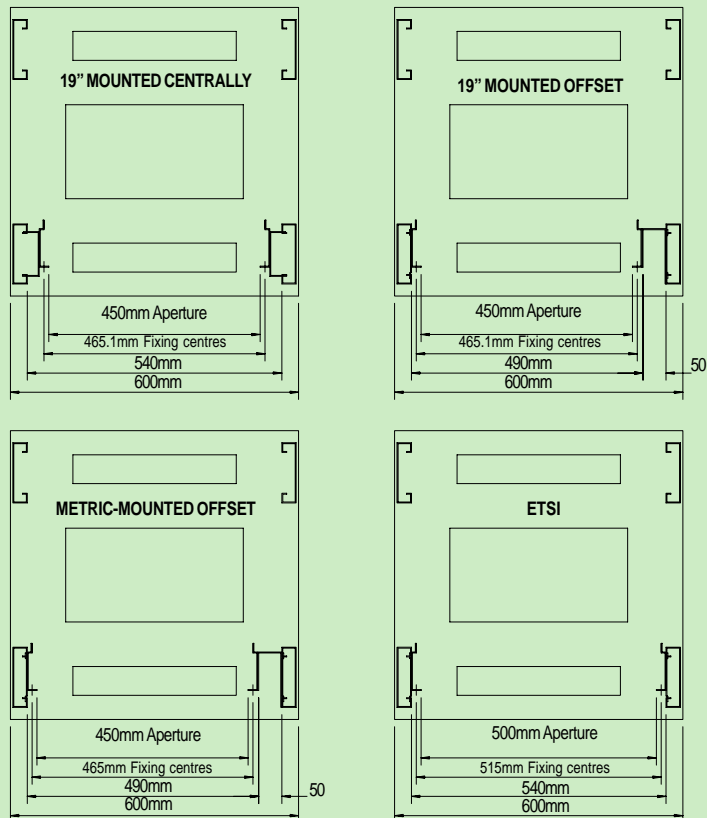
#### Features

- Supplied fully assembled and configured with accessories or in configured kit form
- Glass or metal front door options
- 3 height options - 27U, 37U and 42U
- 2 depth options - 600mm and 800mm
- 2 width options - 600mm and 800mm
- Provides additional cable management space at front and rear
- Cable entry provided in the top and base as standard
- Cable entry provided in front or rear using access panels
- Adjustable 19", metric (465mm) or ETSI panel mounts as standard
- Lockable front door option
- Ventilated top
- Removable side for enhanced access
- Various ventilated top cover and base options
- Top drop-in fan tray
- Load rating 250kg
- Wide range of IMRAK accessories - see accessories information table



# IMRAK 700 - dimensions and mounting options

The IMRAK 700 is a multi-practice rack. This allows 19", metric or ETSI standard equipment to be fitted within the rack. The ETSI standard equipment is 50mm wider than 19"/metric products. This gives a distinct advantage when fitting 19"/metric equipment in that the extra 50mm can be utilised for managing cable vertically. This cabling space can be equally spaced either side of the 19"/metric equipment or, offset to one side, providing one large cabling channel down the right or left hand side of the panel mounts.

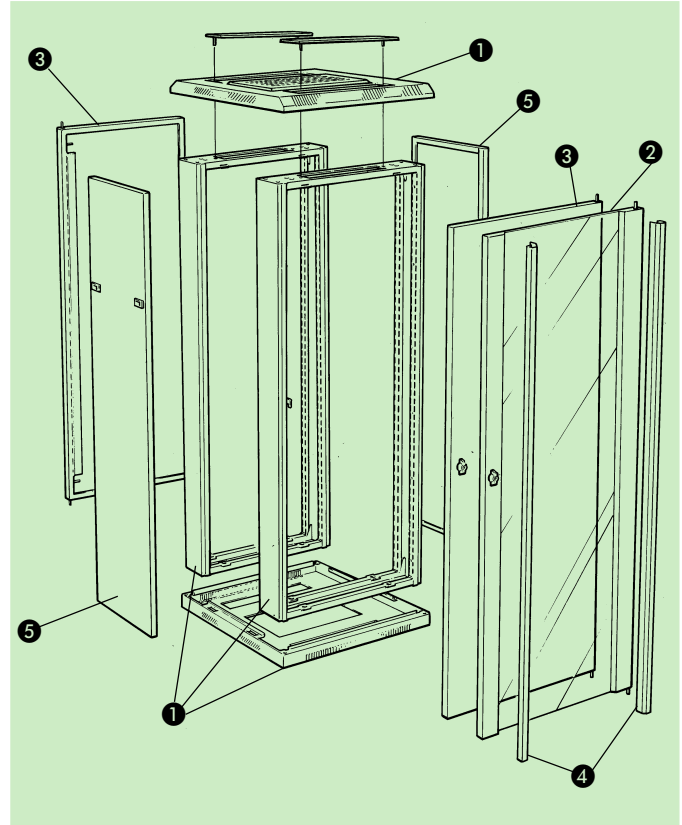


# IMRAK 700 components selector

This section is provided to aid customers in making the most of the comprehensive IMRAK 700 product range.

Use each of the drawings to locate the relevant frame, cladding, mounting brackets, feet, castors or shelves. Page numbers are provided to guide you to the relevant section.

It is necessary to choose components from all sections.



## FRAMEWORK AND CLADDING

- ① Basic frame ..... see below
- ② Glass door ..... see below
- ③ Steel door ..... see below
- ④ Front cover trims ..... see below
- ⑤ Side panel ..... see below

## Ordering information

Item/Description	Order Code	Order Code	Order Code	Order Code	Order Code	Order Code	Order Code	Order Code
Height "U"	27	27	37	37	42	42	42	42
W x D	600 x 600mm	600 x 800mm	600 x 600mm	600 x 800mm	600 x 600mm	600 x 800mm	800 x 600mm	800 x 800mm
<b>Main Structure</b>								
1 Frame	767-277160E	767-277161C	767-277162A	767-277163K	767-277164H	767-277165F	767-277173G	767-277174E
<b>For the front/rear of the rack</b>								
Glass door option	767-277114A	767-277114A	767-277004H	767-277004H	767-277005F	767-277005F	767-277178H	767-277178H
Steel door option	767-277113C	767-277113C	767-277008L	767-277008L	767-277009J	767-277009J	767-277176A	767-277176A
2 cover trims	-	-	767-277012J	767-277012J	767-277013G	767-277013G	767-277013G	767-277013G
<b>For the sides</b>								
2 side panels	767-277115K	767-277116H	767-277016A	767-277017K	767-277018H	767-277019F	767-277018H	767-277019F
Fan power lead (U.K.) option	802-561559G	802-561559G	802-561559G	802-561559G	802-561559G	802-561559G	802-561559G	802-561559G
Fan power lead (Ger./Fr.) option	802-562463D	802-562463D	802-562463D	802-562463D	802-562463D	802-562463D	802-562463D	802-562463D

# IMRAK 700

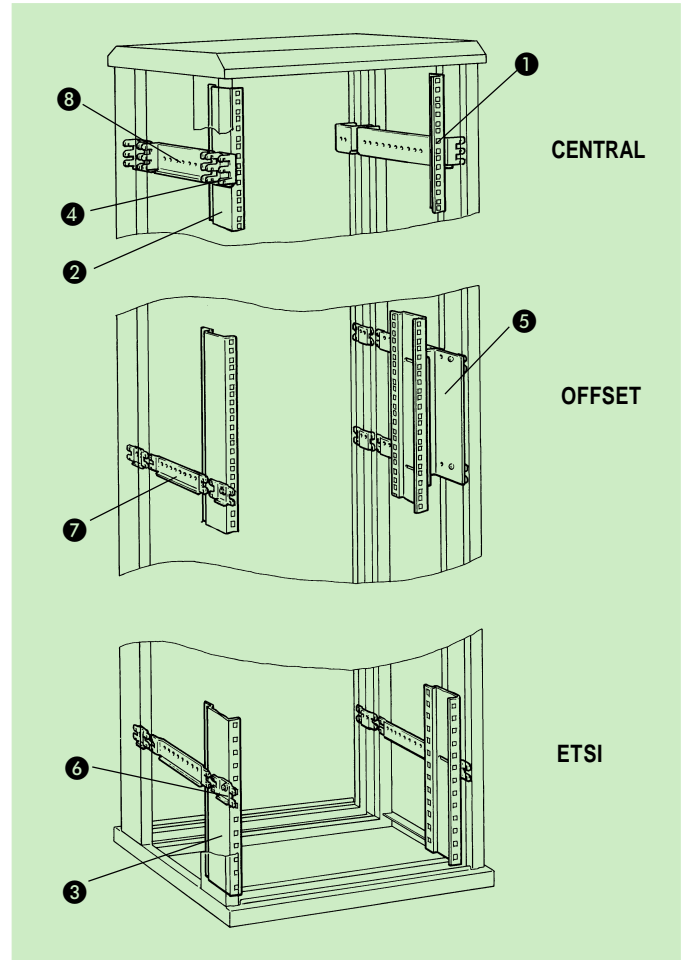
## PANEL MOUNTING SYSTEMS & SUPPORTS

	Page
① Simple 19" panel mount angle .....	55
② Adjustable 19" panel mount angle .....	55
③ Adjustable metric panel mount angle .....	55
④ Central panel mount support bracket kit .....	55
⑤ Offset panel mount support channel kit .....	55
⑥ Flat panel mount support bracket .....	54
⑦ Mounting support .....	54
⑧ Centralising mounting support .....	54

### Example

For a 42U 600mm wide x 800mm deep IMRAK 700 with a glass front door, steel rear door, side panels, offset front 19" panel mount angles and adjustable feet.

- 1 off 767-277003K 42U 600mm x 800mm main body.
- 1 off 767-277005F Glass door
- 1 off 767-277009J Steel door
- 1 off 767-277019F Side panels
- 2 off 767-277028E Offset 19" panel mount support brackets
- 1 off 802-560528A 19" panel mounting angles
- 1 off 802-560001H Adjustable feet



# IMRAK 700 free standing cabinet

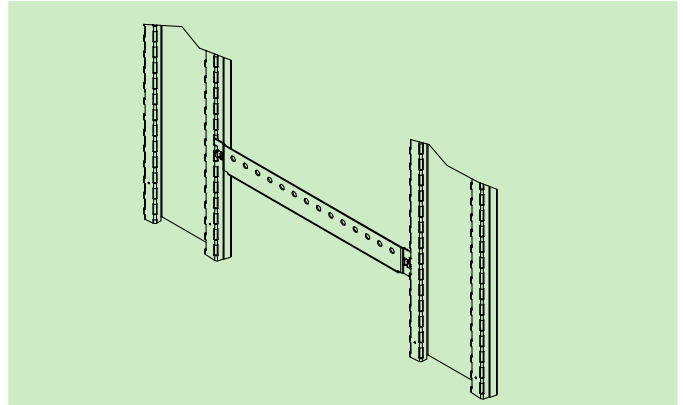
## FULL WIDTH PANEL MOUNTING SUPPORT KIT

These fit between the vertical picture frame and are used to support Offset 19", Offset metric (450mm) and ETSI panel mounts. They allow positioning of the panel mounts anywhere from the front to the rear of the IMRAK 700. These kits are required for Offset panel mounts. Two kits are required for ETSI panel mounts.

### Ordering information

Item/Height U	Width/Depth	Order Code
1 kit 37U/42U	600x600	767-277036F
1 kit 37U/42U	600x800	767-277037D

Note: 3 kits are required for offset panel mounts  
2 kits are required for ETSI panel mounts



Full width panel mounting support kit

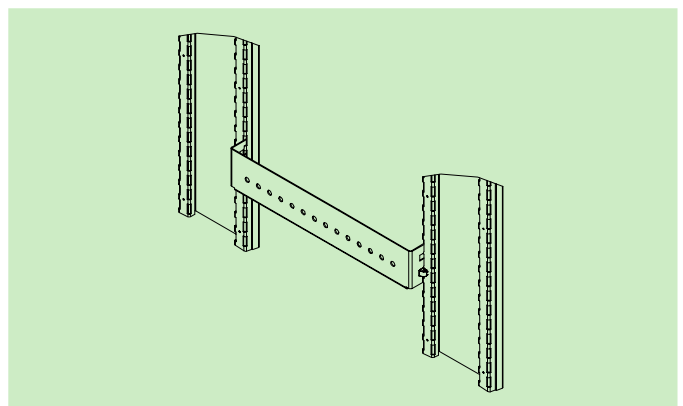
## CENTRALISING MOUNTING SUPPORT KIT

These fit between the vertical picture frame and are used to support centrally mounted 19", metric (450mm) panel mounts and cable reducing channels on 800mm wide racks. They allow positioning of the panel mounts anywhere from the front to the rear of the IMRAK 700.

### Ordering information

Item/Height U	Depth	Order Code
1 kit 37U/42U	600	767-277023D
1 kit 37U/42U	800	767-277025L

Note: 3-off kits are required for 37U and 42U high cabinet  
2-off kits are required for 22U high cabinet.



Centralising mounting support kit

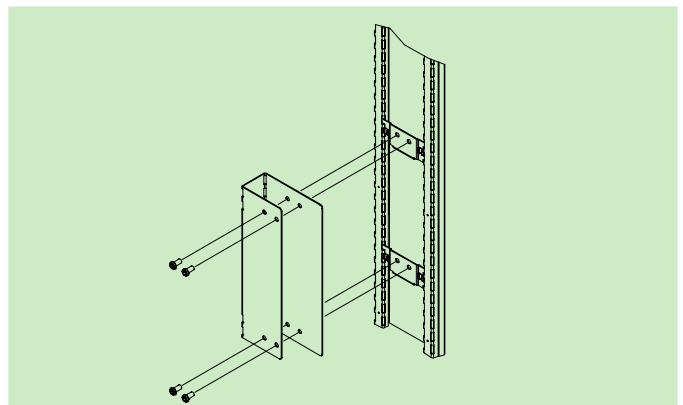
## OFFSET PANEL MOUNTING SUPPORT CHANNEL KIT

Supplied in pairs, these brackets allow the relevant 19" or metric panel mounts to be set either to the left or right of the rack and positioned anywhere from the front to rear.

### Ordering information

Description	Order Code
Offset panel mounting support channel kit	767-277028E

Note: 2 kits are required to support full length panel mounting angles.



Offset panel mounting support channel kit

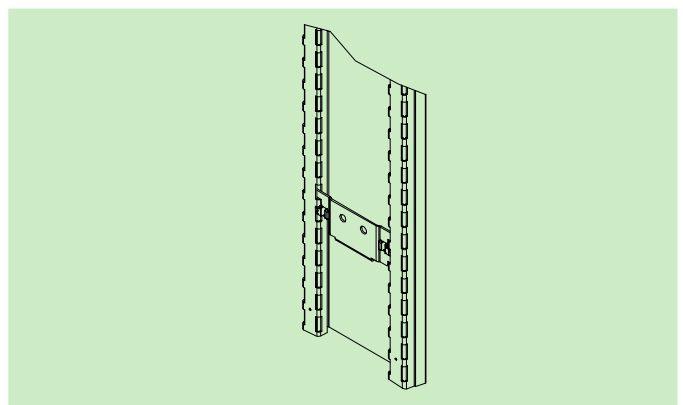
## FLAT PANEL MOUNT SUPPORT BRACKET KIT

Used to support ETSI (metric) panel mounting angles. Made from 1,5mm thick steel and painted pale grey RAL 7035. Supplied as a pair.

### Ordering information

Description	Order Code
Flat panel mount support bracket kit	767-277032C

Note: 2 kits are required to support full length panel mounting angles.



Flat panel mount support bracket kit

# IMRAK 700 free standing cabinets

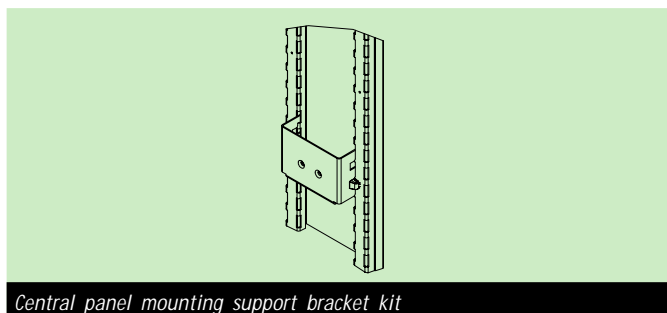
## CENTRAL PANEL MOUNTING SUPPORT BRACKET KIT

Used when panel mounting angles are required to fit centrally within a 600 wide rack. They must also be used within 800 wide racks in conjunction with cable reducing channels to achieve 19" or metric mounting. The kit can be used in conjunction with 19" and metric panel mounting angles which need to be ordered separately. Made from 1,5mm thick steel and finished in pale grey RAL 7035. Supplied as a pair.

### Ordering information

Description	Order Code
Central panel mounting support bracket kit	767-277024B

Note: 2-off kits are required to support a 37U full length panel mounting angles  
3-off kits are required to support a 42U full length panel mounting angles.



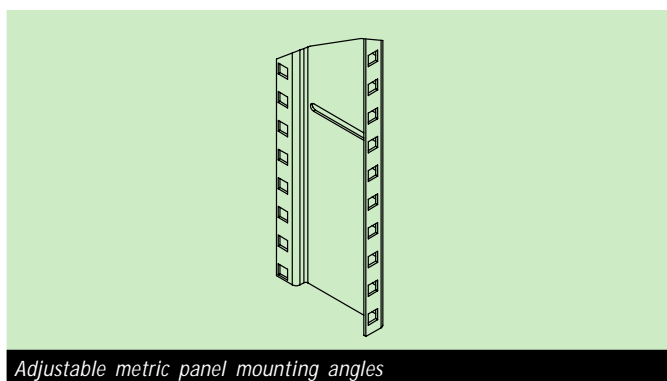
Central panel mounting support bracket kit

## ADJUSTABLE METRIC PANEL MOUNTING ANGLES

Supplied in pairs and provide, (when used with the appropriate panel mount support brackets), metric (450mm) or ETSI (500mm) equipment mounting. For shorter lengths, see page 42.

### Ordering information

Height U	Order Code
37U (65 SU)	802-562441C
42U (74 SU)	802-562446D



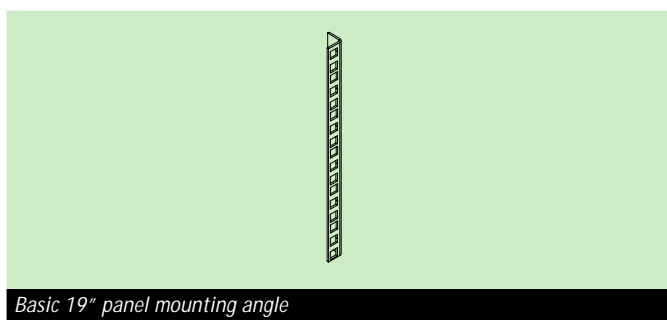
Adjustable metric panel mounting angles

## BASIC 19" PANEL MOUNTING ANGLES

Used for 19" standards applications and supplied as a pair. Made from 2mm thick steel and finished in pale grey RAL 7035. For shorter lengths, see page 40.

### Ordering information

Height (U)	Order code
37	802-562392A
42	802-562397B



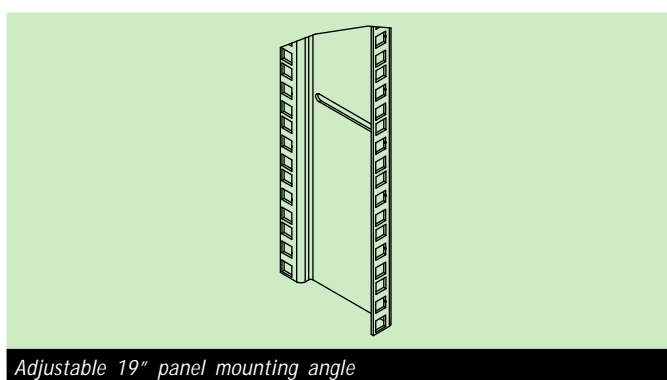
Basic 19" panel mounting angle

## ADJUSTABLE 19" PANEL MOUNTING ANGLES

Used for 19" standards applications and supplied as a pair. The panel mounts can have an infinite depth adjustment if fitted to the mounting supports. Made from 2mm thick steel and finished in pale grey RAL 7035. For shorter lengths, see page 40.

### Ordering information

Height (U)	Finish	Order code
37	Painted	802-560523L
42	Painted	802-560528A
42	conductive	802-563592K



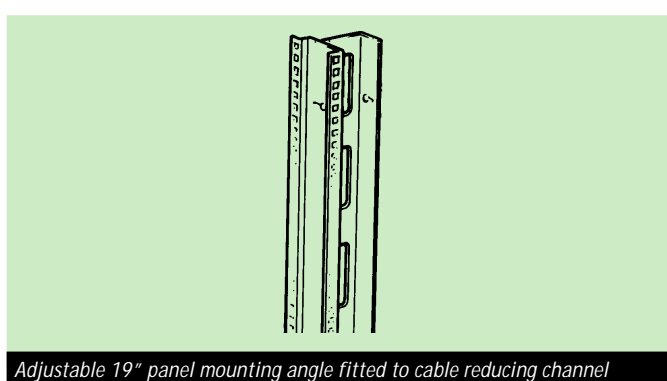
Adjustable 19" panel mounting angle

## CABLE REDUCING CHANNELS

Used within 800 wide racks when panel mounting angles are required. When 19" and metric panel mounting angles are to be used the cable reducing channels are used in conjunction with central panel mounting support bracket kits. When ETSI mounting is to be used the cable reducing channels are used in conjunction with flat panel mount support bracket kits. Panel mounting angles need to be ordered separately. For shorter lengths, see page 42.

### Ordering information

Height (U)	Finish	Order code
42	Painted	802-563572E



Adjustable 19" panel mounting angle fitted to cable reducing channel

# IMRAK 700 free standing cabinets

## 1 STANDARD FAN TRAYS

Top mounted fan trays are available to aid the cooling of your equipment. These may be retrofitted to the IMRAK 700 and occupy none of the usable "U" height. Two fans are fitted for the 600mm deep rack. Four fans are fitted for the 800mm deep rack. Connection to the fan trays is by means of a CEE 22 mains inlet. Fan leads must be ordered separately.

### Ordering information

Item/Description	Order Code
1 Top mounted fan tray 600x600mm/800x600mm	767-277166D
1 Top mounted fan tray 600x800mm/800x800mm	767-277167B

## 2 BAYING BRACKET KIT

The baying bracket kit is designed for joining 2 IMRAK 700 racks side by side. The brackets are made from 1,2mm thick steel and finished in pale grey RAL 7035.

### Ordering information

Item/Description	Order Code
Baying bracket kit	767-277020K

## 3 LIFTING EYE KIT

Eyebolts can be screwed into 10mm threaded holes in the top four corners of the IMRAK frame to facilitate lifting of fully loaded racks.

### Ordering information

Item/Description	Order Code
Lifting eye kit	767-277014E

## 4 HOOK-IN CANTILEVER SHELVES

These unique cantilever shelves fix onto the vertical frame via bayonet tabs and are retained using the plastic clips (supplied). This permits the use of fixed 19" panel mounting angles in front of the shelf. They are available in 2 depths. The shelves which have a maximum loading of 20kg. The shelves are made from 1,5mm thick steel and finished in pale grey RAL 7035.

### Ordering information

Item/Description	Order Code
1 Hook-in cantilever shelf ( 2U x 255 dp.)	767-277007B
1 Hook-in cantilever shelf ( 3U x 400 dp.)	767-277010B

## 5 BOLT DOWN BRACKET KIT

This is a kit of 4 brackets which allow the cabinet to be bolted to the floor using 12mm bolts (not supplied). The brackets are made from 2mm thick steel and finished in pale grey RAL 7035.

### Ordering information

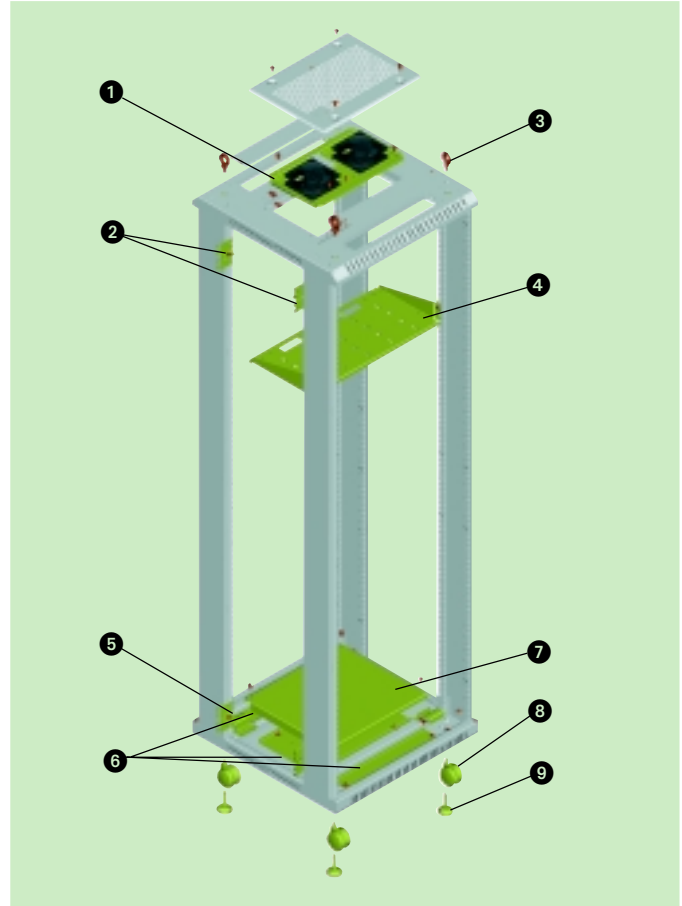
Item/Description	Order Code
Bolt down bracket kit	767-277011L

## 6 BOTTOM GLAND PLATE KIT

Bottom gland plates are used to infill the apertures in the base cover of the cabinet. The kit consists of 1 centrally mounted plate (2mm thick steel) and 2 smaller gland plates (1mm thick steel) which fit at the front and the rear of the rack. All of the gland plates are finished in zinc and passivate.

### Ordering information

Item/Description	Order Code
600x600mm/800x600mm Bottom gland plate kit	767-277015C
600x800mm/800x800mm Bottom gland plate kit	767-277026J



## 7 HEAVY DUTY CHASSIS PLATE

The chassis plate allows heavy equipment to be fitted at the base of the rack between the 2 vertical picture frames. Made from 1,5mm steel and finished in zinc and passivate, the shelf has a maximum loading of 100kg.

### Ordering information

Item/Description	Order Code
1 600 x 600mm Chassis plate	767-277021H
1 600 x 800mm Chassis plate	767-277022F

## 8 CASTORS

Light/medium duty castors, which each have a maximum loading of 65kg. each, may be fitted to the bottom of the rack. Supplied as a kit of 4, the kit consists of 2 braked castors and 2 unbraked castors.

*Note: Castors cannot be fitted if adjustable feet are used.*

### Ordering information

Item/Description	Order Code
Castor kit	802-560002F

## 9 ADJUSTABLE FEET

These allow you to align your rack on uneven surfaces. The feet are supplied in kits of 4.

### Ordering information

Item/Description	Order Code
Adjustable feet kit	802-560001H

*Note: Castors cannot be fitted if adjustable feet are used.*